

TECH 4U 611

LGA1151 6th/7th Gen. Intel® Core™ i7/i5/i3 ATX with DVI/VGA, DDR4, SATAIII, USB 3.0 & 6 COMs



BIS
Regn.No.
R-85000140

Conforming to
BIS Standard
IS 13252
(Part-1): 2010



CE FCC

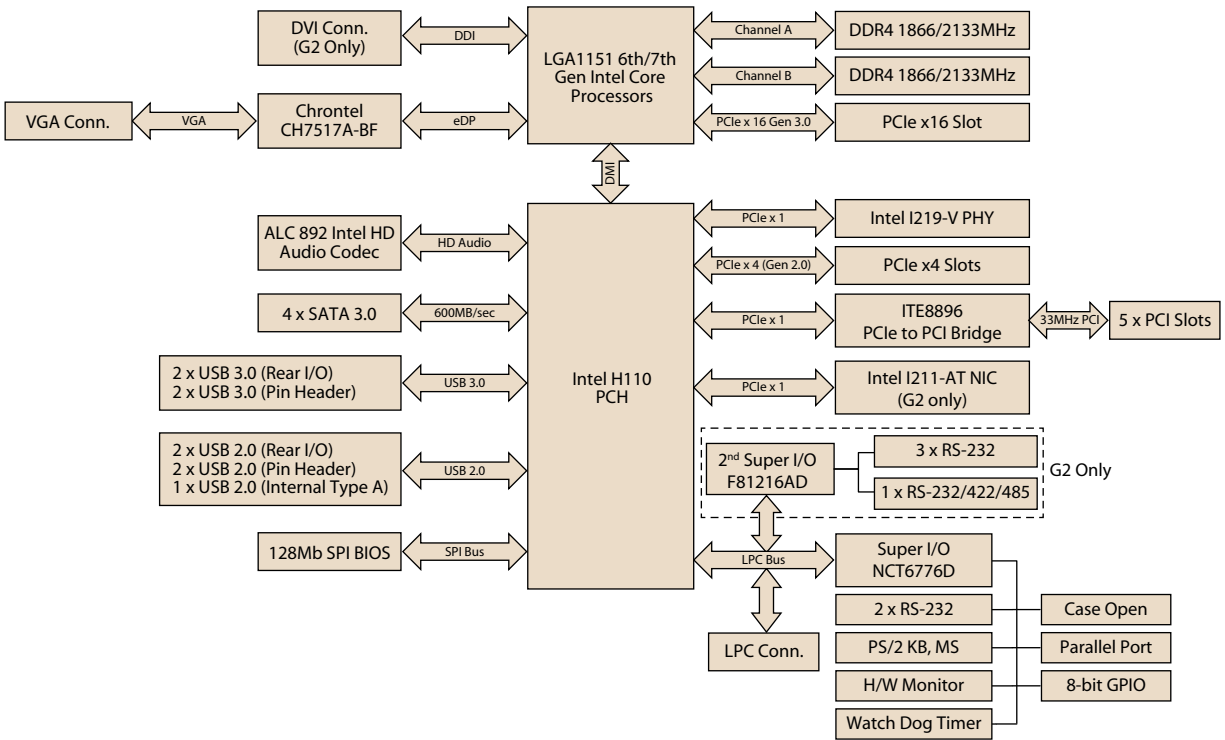
Features

- Intel 6th/7th generation Core i7/i5/i3/pentium processor
- Dual channel (Non-ECC) DDR4 1866/2133 up to 32GB
- Support VGA and DVI display
- Support SATA3.0, USB3.0, dual GbEs
- Support 5 RS-232 and 1 RS-232/422/485 serial ports
- 1 PCIe x16 (Gen3) and 1 PCIe x4 (Gen2), and 5 PCI expansion slots
- Supports 400 W ATX PFC PS/2 power supply.
- Easy to install front-accessible drive bays to hold three 5.25" and two 3.5" drives (one front-accessible & one internal).
- Front-accessible USB & PS/2 interfaces.
- Designed to withstand environmental extremes, such as shock, vibration and high temperature.
- Front LEDs indicate power status, and HDD activity.
- Lockable front door prevents unauthorized access.
- Dual front-accessible filtered cooling fans provide optimized and streamlined airflow.
- Supports Internal 5.25" DVD-RW.

Specifications

Processor System	CPU	i7-7700	i7-7700T	i7-6700	i7-6700TE	i5-7500	i5-7500T	i5-6500	i5-6500TE	i3-7101E	i3-7101TE	i3-6100	i3-6100TE					
	Speed	3.6GHz	2.9GHz	3.4 GHz	2.4 GHz	3.4GHz	2.7GHz	3.2 GHz	2.3 GHz	3.9GHz	3.4GHz	3.7 GHz	2.7 GHz					
	Cache	8MB	8MB	8 MB	8 MB	6MB	6MB	6 MB	6 MB	3MB	3MB	4 MB	4 MB					
	Socket	LGA 1151																
	Chipset	Intel H110																
	BIOS	AMI 128Mbit SPI Flash																
	PCI	32-bit/33 MHz, 5 slots																
Expansion Slot	PCIe x4 (Gen2)	2 GB/s per direction, 1 slot																
	PCIe x16 (Gen3)	16 GB/s per direction, 1 slot																
Memory	Technology	Dual Channel(Non-ECC) DDR4 1866/2133 MHz																
	Max Capacity	32 GB (16 GB per DIMM)																
	Sockets	DDR4 288-pin DIMM x2																
Graphics	Controller	Chipset integrated Intel HD Graphics																
	VRAM	Shared system memory is subject to OS																
Ethernet	Interface	10/100/1000 Mbps																
	Controller	GbE LAN1: Intel I219-V, GbE LAN2: Intel I211-AT																
	Connector	RJ-45 x2																
SATA	Max Data Transfer Rate	600 MB/s																
	Channel	4																
Rear I/O	VGA	1 (Resolution up to 1920 x 1200 @ 60Hz)																
	DVI	1 for G2 version (Resolution up to 1920 x 1200 @ 60Hz)																
	Ethernet	2 for G2 version; 1 for VG version																
	USB	4 (USB3.0 x2, USB2.0 x2)																
	Audio	Line-out, Mic-in																
	Serial	2																
Internal Connectors	PS/2	2 (1 x keyboard and 1 x mouse)																
	USB	1 (Type A); 2 (USB2.0, Pin-header); 2 (USB3.0, Box-header)																
	Serial	4 for G2 version (3 x RS-232, box-header; 1 x RS-232/422/485 with auto-flow control, box-header)																
	Parallel	1																
Watchdog Timer	GPIO	8 bits																
	Output	System reset																
Power Requirement	Interval	Programmable 1 - 255 sec																
	Test Environment	Intel Core i7-6700 3.4GHz; DDR4 2133 8GB x 2																
	Voltage	3.3V	5V				12V				5Vsb				-5V		-12V	
Environment	Current	0.49A	3.13A				7.88A				0.08A				0.07A		0.07A	
	Operating	0 ~ 60 °C (32 ~ 140 °F), depends on CPU speed and cooler solution										Non-Operating						
Physical Characteristics	Humidity	40 °C @ 95% RH Non-condensing										-40 ~ 85 °C (-40 ~ 185 °F)						
	Dimensions (W x H x D)	482 x 177 x 479 mm (19" x 7" x 18.9")																

Block Diagram



Ordering Information

Part Number	Chipset	Memory	Display	USB 3.0	USB 2.0	COM	GbE LAN	AMT	SATA	SW RAID	Intelligent System Module Support
TECH 4U 611	H110	Non-ECC	VGA + DVI	4	5	6	2	No	4	No	No

Front View



Rear View



Bracket View

